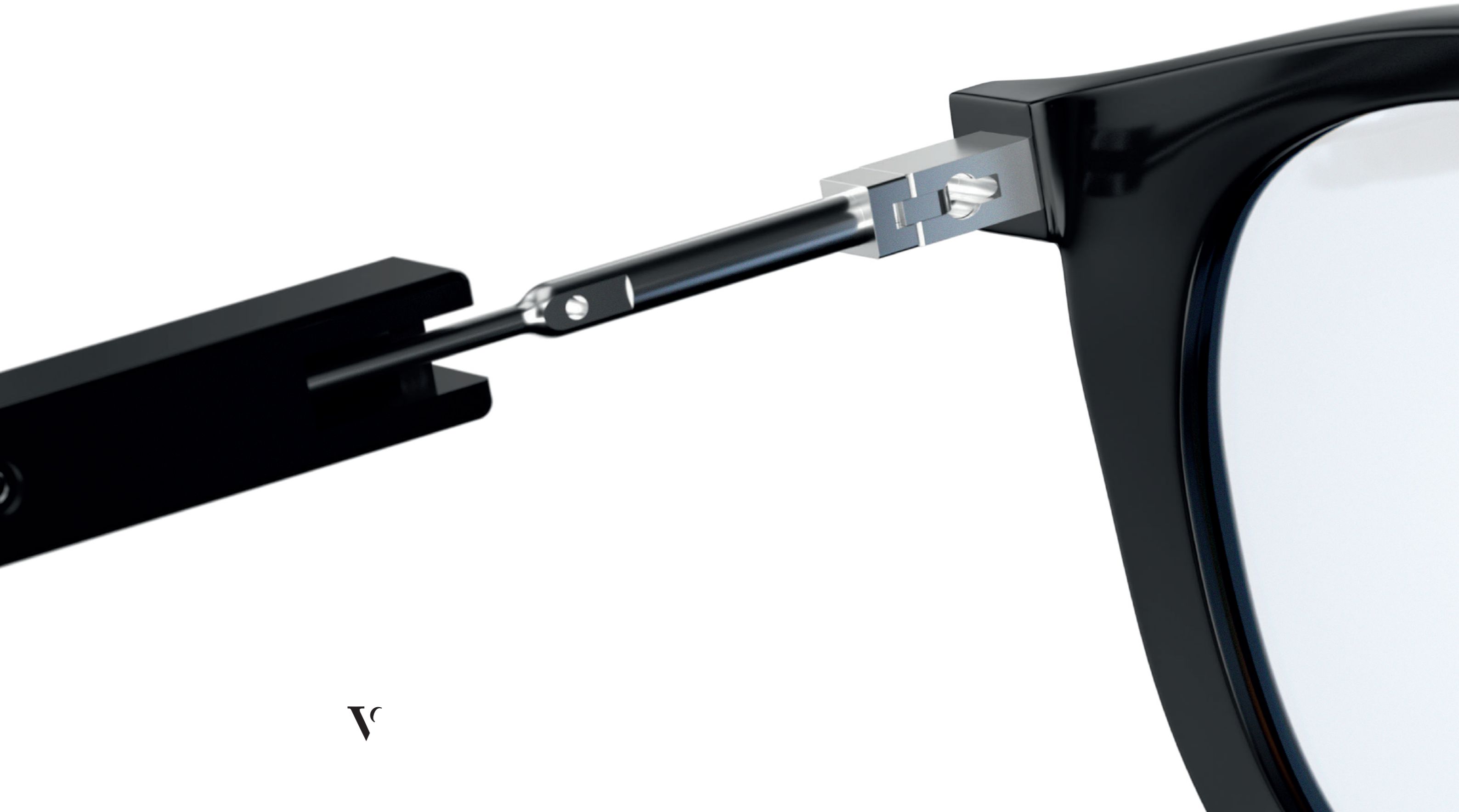


W F Snap IN
WIRECORE FLEX EASY LOCK
NO SCREWS

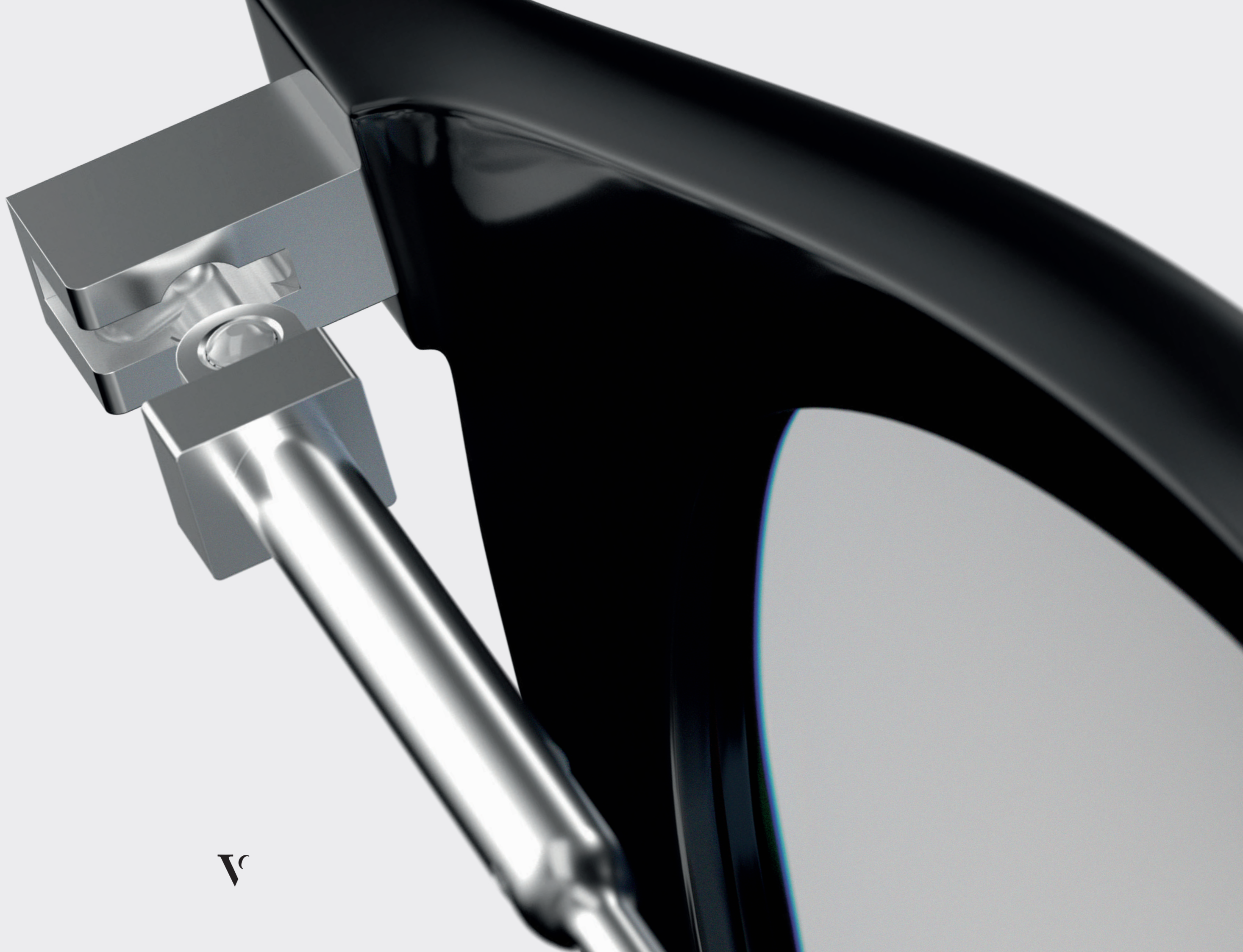


VISOTTICA
GROUP

mod. **W F S n a p I N**
No screws are needed to assemble the temple with the front!



V



V

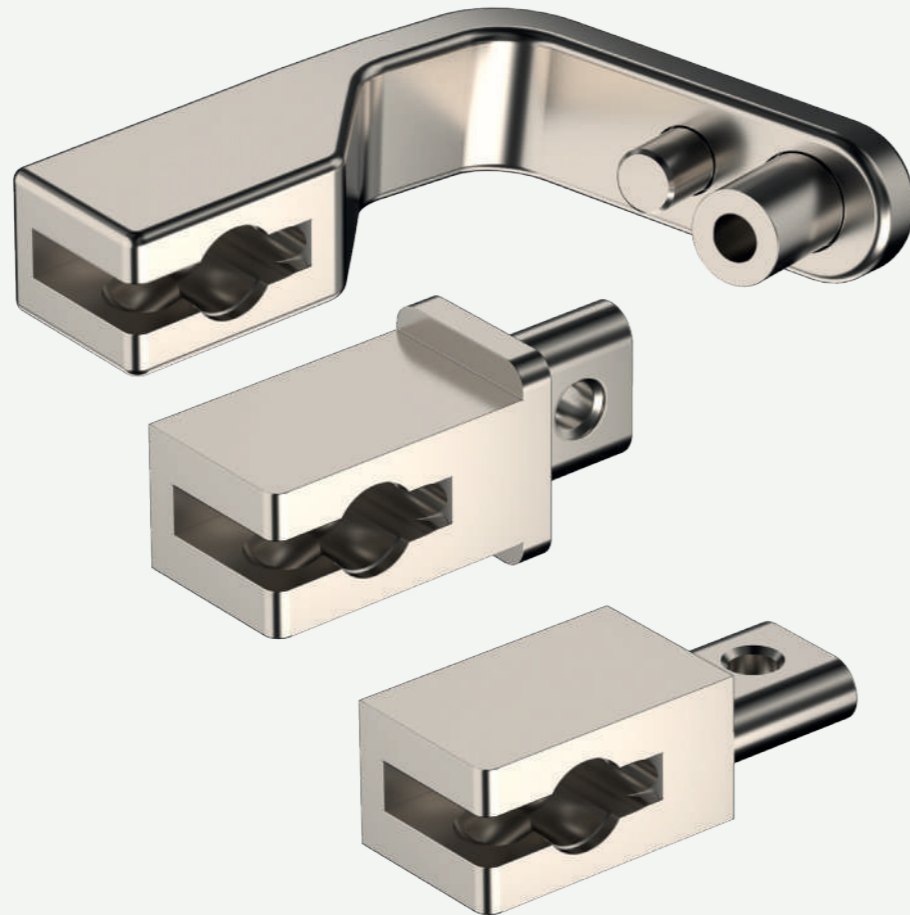
CUSTOMIZATION

EXAMPLES OF POSSIBLE CUSTOMIZED FRONT HINGES

Tailor-made front hinges.

Our showcase of custom hinge examples is designed to inspire you and perfectly complement your project, ensuring an ideal solution for your specific needs.

Share the idea, share the project.



FEATURES

- Easy snap-in;
- Different solutions: with a gap between the plastic front and the temple and without gap;
- WF Snap In can be use with different materials: acetate, wood, 3d printing.

PERFORMANCE

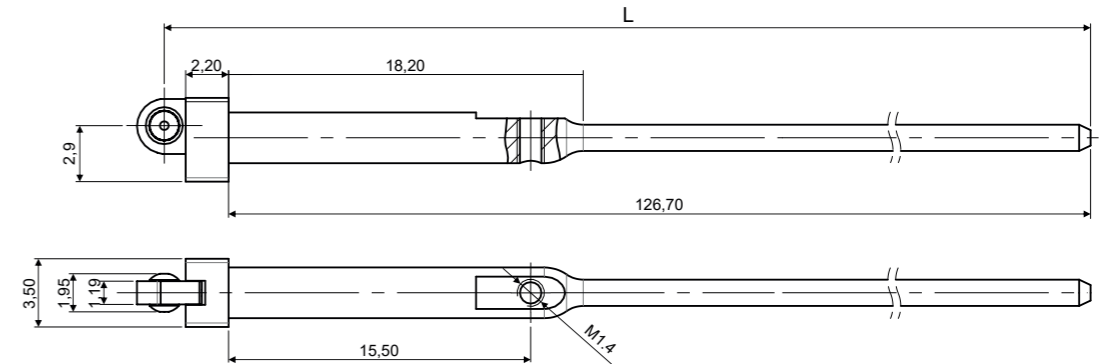
- Wear resistance (mechanism): 30.000 Open/close cycles;
- Pulling resistance (mechanism): over 250n;
- Anti-rocking system for a better feeling.



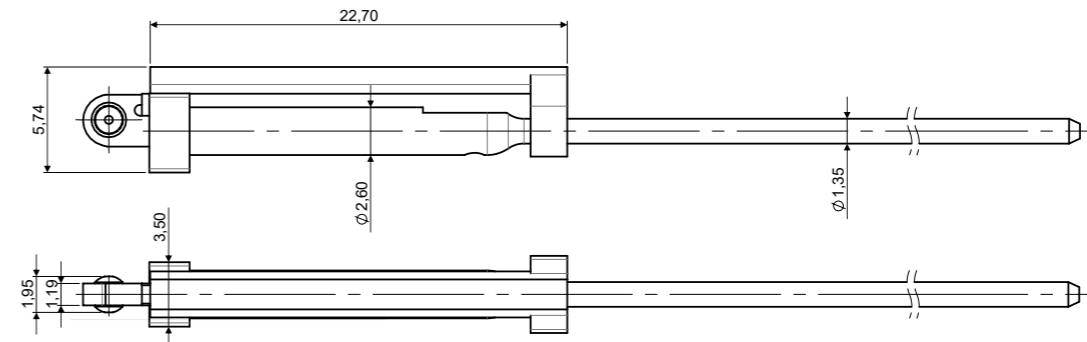
PRODUCT INFORMATION

WIRECORE

Drawing of the wirecore without the spacer



Drawing of the wirecore with the spacer



Spacer: tool for the assembly process



WIRECORE

L 130 | 05WFCL046A130BNX
L 135 | 05WFCL046A235BNX

Material: **Nickel silver** | Trolley: **Hard Trolley**

Note: **Soft Trolley** available on request

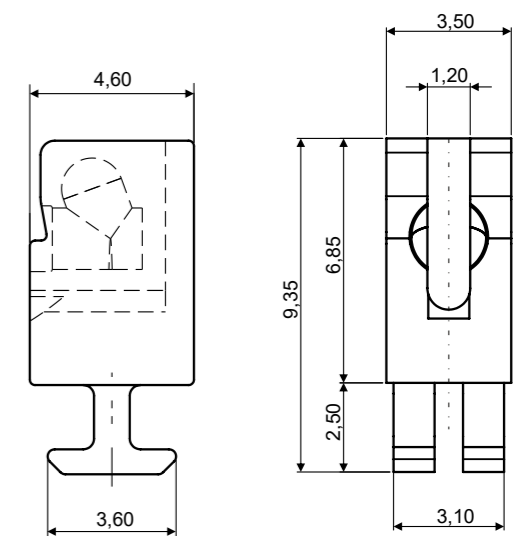
Note:

- 1 - The wirecore is provided assembled to the spacer (as from the drawing above);
- 2 - The spacer must be removed after assembling the temple.

HINGES

Material: **Nickel silver**

90° INSERT HINGE | 03FRCL062A1BNX





VISOTTICA
GROUP

Your partner in solutions for eyewear.

• **Visottica Industrie S.p.a.**

Via Vecchia Trevigiana, 11
31058 Susegana, TV, Italy
Tel +39 0438 6551
Fax +39 0438 450 855

• **O'Reilly Industrial Ltd.**

Rm 302, Shui Hing Centre,
13 Sheung Yuet Road,
Kowloon Bay, Kowloon, Hong Kong
Tel +852 2796 6010
Fax +852 2796 4631

sales@visotticagroup.com

visotticagroup.com